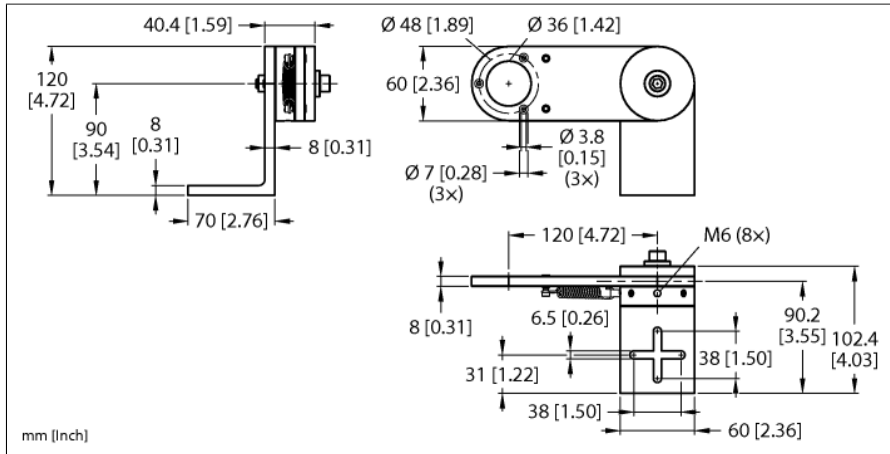


Accessories

Spring Arm for Encoders

For Solid Shaft Encoders

RA-SAB-30-36



Type	RA-SAB-30-36
ID	100038294
Ambient temperature	-40...+120 °C

- For encoders with a measuring wheel
- For solid-shaft encoders with a 58-mm clamping flange
- Recommended contact pressure 30 N
- Maximum contact pressure 40 N
- Material: Aluminum