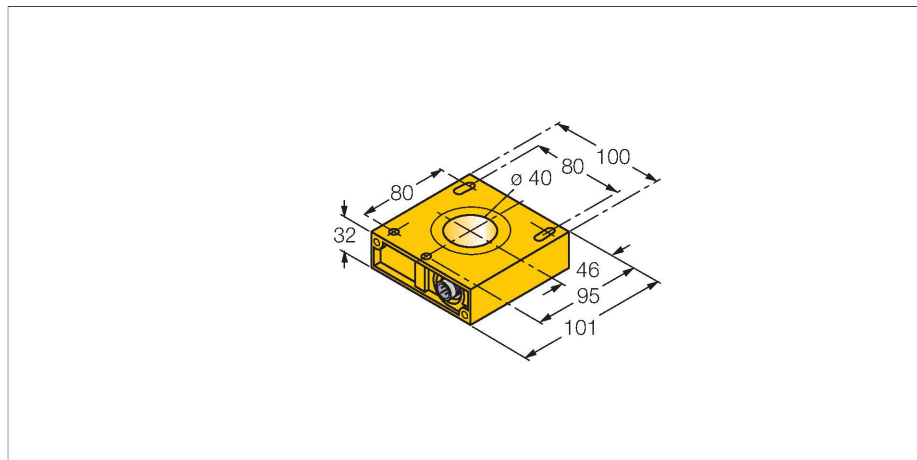


# NI40R- Inductive Sensor – Ring Probe



## Features

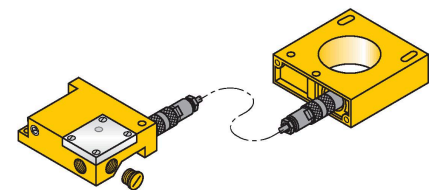
- Rectangular, height 32 mm
- Plastic, ABS
- Modular mounting with the S32SR-AP44X-S1131 or S32SR-VP44X switching amplifier

## Functional principle

Inductive sensors detect metal objects contactless and wear-free. For this purpose they use a high-frequency electromagnetic AC field that interacts with the target. Inductive ring sensors generate this field through an LC resonant circuit. The target acts as the coil core.

## Technical data

Type	NI40R-
ID	1430101
<b>General data</b>	
Inside ring diameter D	40 mm
Steel wire diameter (St37)	≥ 1 mm
pulse stop	≥ 5 ms
Pulse duration at the output	≥ 100 ms ± 20 %
<b>Electrical data</b>	
Operating voltage $U_B$	10...55 VDC
<b>Mechanical data</b>	
Design	Ring probe, S32
Dimensions	95 x 100 x 32 mm
Housing material	Plastic, ABS
Coil body	plastic, ABS
<b>Environmental conditions</b>	
Ambient temperature	-25...+70 °C
Protection class	IP65



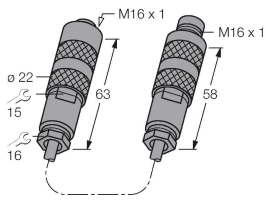
## Mounting instructions

Mounting instructions/Description		Distance D	150 mm
		Distance W	150 mm
		Distance S	150 mm
		Distance G	150 mm

## Accessories

### ADAPTER CABLE RING 1.6M

14306



Adapter cable enables separate mounting of ring probe and switching amplifier; coax cable: RG58 C/U 50 Ohm