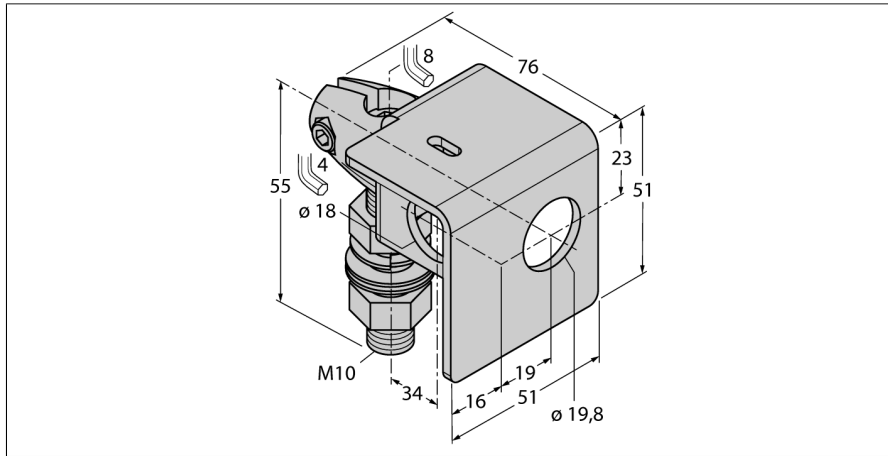


Accessories

Mounting Bracket

SMB18AFAM10



- Mounting bracket
- Cold-rolled steel
- For 18 mm thread
- M10 × 1.5 thread

Type	SMB18AFAM10
ID	3012558
Design	Accessories for threaded barrel, SMB18AFAM10