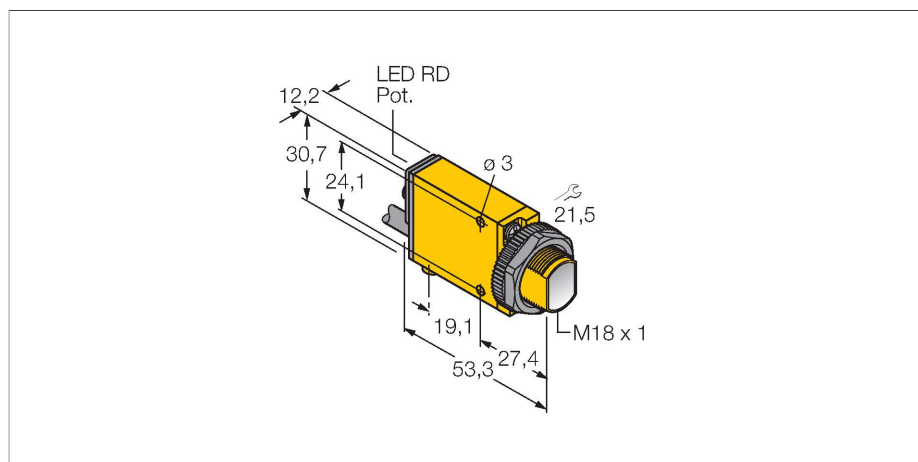


# SM312LV

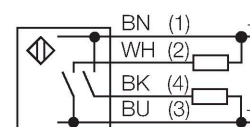
## Photoelectric Sensor – Retroreflective Sensor



### Features

- Cable, PVC, 2 m
- Protection class IP67
- Sensitivity adjustable via potentiometer
- Alignment indicator
- Operating voltage: 10...30 VDC
- Switching output, bipolar
- Light/dark operation

### Wiring diagram



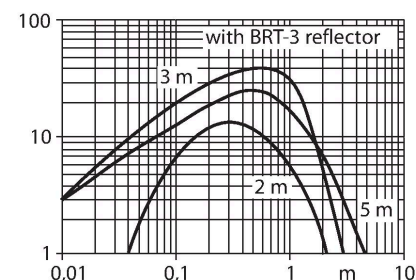
### Technical data

Type	SM312LV
ID	3025618
<b>Optical data</b>	
Function	Retroreflective Sensor
Operating mode	Unpolarized
Reflector included in delivery	no
Light type	Red
Wavelength	650 nm
Range	0...5000 mm
<b>Electrical data</b>	
Operating voltage	10...30 VDC
Residual ripple	< 10 % U <sub>ss</sub>
DC rated operational current	≤ 150 mA
No-load current	≤ 25 mA
Output function	NO contact, PNP/NPN
Switching frequency	≤ 500 Hz
Readiness delay	≤ 100 ms
Response time typical	< 1 ms
Overcurrent release	> 220 mA
Setting option	Potentiometer
<b>Mechanical data</b>	
Design	Rectangular with thread, Mini Beam
Dimensions	Ø 18 x 53.3 x 12.3 x 30.7 mm
Housing material	Plastic, Thermoplastic material, Yellow
Lens	plastic, Acrylic
Electrical connection	Cable, 2 m, PVC
Number of cores	4

### Functional principle

Retro-reflective sensors incorporate emitter and receiver in a single compact housing. The light beam of the emitter is directed towards a reflector which returns the light back to the receiver. An object is detected when it interrupts this beam. Retro-reflective sensors incorporate some of the advantages of opposed mode sensors (good contrast and high excess gain). Further it is merely required to install and wire a single device. A smaller sensing range and susceptibility of devices without polarisation filter can be of disadvantage when shiny objects have to be detected.

Excess gain curve  
Excess gain in relation to the distance (type LV)



## Technical data

Core cross-section	0.5 mm <sup>2</sup>
Ambient temperature	-20...+70 °C
Protection class	IP67
Special features	Encapsulated
Switching state	LED, Red
Excess gain indication	LED, red, flashing
<b>Tests/approvals</b>	
Approvals	CE, cURus, CSA

## Accessories

<p><b>SMB18A</b></p>	<p><b>3033200</b></p> <p>Mounting bracket, rectangular, stainless steel, for sensors with 18 mm thread</p>	<p><b>SMB18AFAM10</b></p>	<p><b>3012558</b></p> <p>Mounting bracket, material VA 1.4401, for M10 x 1.5 thread, thread length 18 mm</p>
<p><b>SMB18SF</b></p>	<p><b>3052519</b></p> <p>Mounting bracket, PBT black, for sensors with 18 mm thread, rotatable</p>	<p><b>SMB312B</b></p>	<p><b>3025519</b></p> <p>Mounting bracket, stainless steel, for MINI-BEAM NAMUR</p>
<p><b>SMB3018SC</b></p>	<p><b>3053952</b></p> <p>Mounting bracket, PTB black, for sensors with 18 mm thread</p>		

Accessories

Dimension drawing	Type	ID	
	BRT-3	3016164	Round reflector, reflection coefficient 1.0, material acrylic, ambient temperature -20...+60 °C

