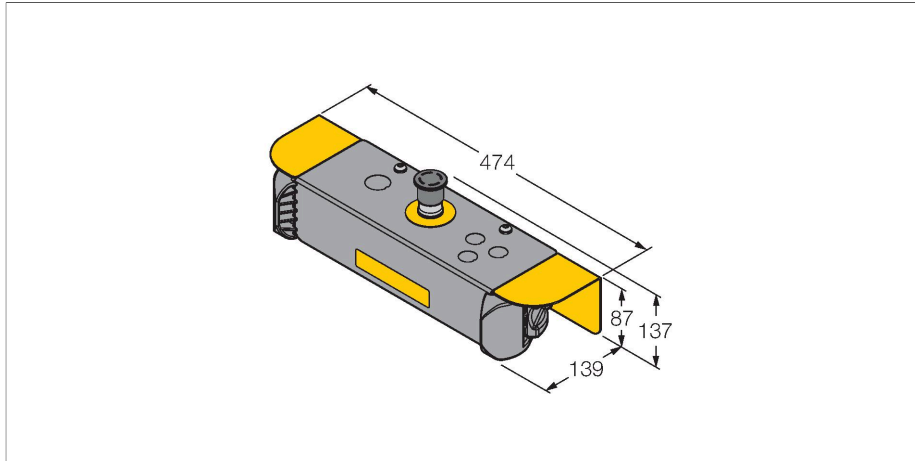


STBVR81-RB2

Photoelectric Sensor – Touch Switch

For Two-Hand Control System



Features

- Ergonomically shaped
- Upper housing part of polyetherimide
- Operating voltage: 20...30 V AC/DC
- Relay output, 125 VDC / 150 VAC, 1A DC / AC 0.4 A max.
- Pre-assembled protective cover
- Safety category 4 according to EN ISO 13849-1 for use with corresponding evaluation relays
- SIL 3 acc. to IEC 61508 and IEC 62061

Technical data

Type	STBVR81-RB2
ID	3029765
Optical data	
Function	Touch Button
Light type	IR
Electrical data	
Operating voltage	20...30 VDC
Operating voltage	20...30 VAC
Output function	Complementary contact, Relay output
Switching frequency	≤ 25 Hz
Mechanical data	
Design	Rectangular, STB
Housing material	Plastic, PBT
Protection class	IP66
Tests/approvals	