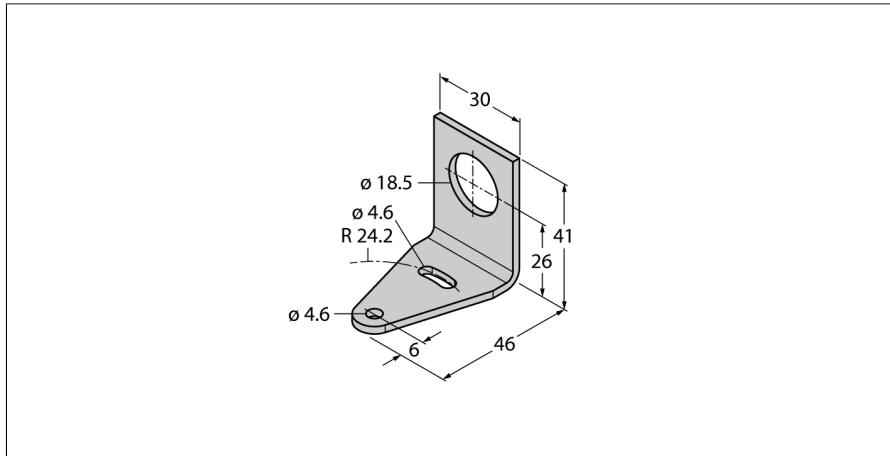


Accessories

Mounting Bracket

SMB18A



- Mounting bracket
- M18
- Stainless steel

Type	SMB18A
ID	3033200
Design	Accessories for threaded barrel, SMB18A
Housing material	Metal, 1.4401 (AISI 316)