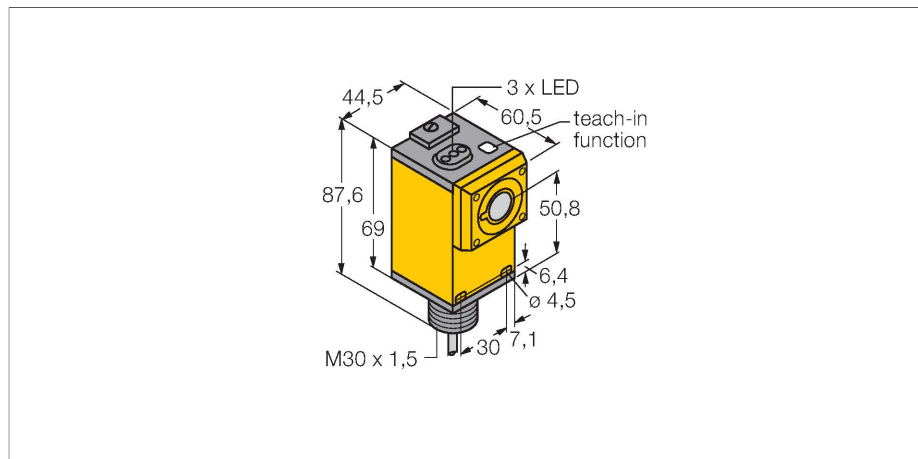


Q45UBB63DA

Ultrasonic Sensor – diffuse mode sensor

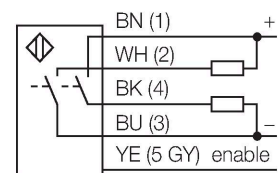
With Switching Output



Features

- Start and End of switching range adjustable via teach button
- NO/NC output function
- Response time, adjustable
- Pump function
- PNP/NPN transistor output (NO contact)
- Aperture angle of sonic cone 15 °
- Blind zone: 10 cm
- Range: 140 cm

Wiring diagram



Technical data

Type	Q45UBB63DA
ID	3044128
Ultrasonic data	
Function	Proximity switch
Range	100...1400 mm
Ultrasound frequency	230 kHz
Repeatability	≤ ± 1 mm
Temperature drift	≤ 0.13 % of full scale/K
Electrical data	
Operating voltage	12...24 VDC
Response time typical	< 20 ms
Output function	NO contact, PNP/NPN
Switching frequency	≤ 50 Hz
Hysteresis	≤ 0.5 mm
Short-circuit protection	yes / Cyclic
Reverse polarity protection	Complete
Mechanical data	
Design	Rectangular, Q45
Radiation direction	straight
Dimensions	60.5 x 44.5 x 87.6 mm
Housing material	Plastic, PBT
Transducer material	Plastic, Epoxyd resin and PU foam
Electrical connection	Cable, 2 m, PVC
Ambient temperature	-25...+70 °C
Relative humidity	100 %

Functional principle

Ultrasonic sensors detect a multitude of objects contactless and wear-free with ultrasonic waves. Regardless of whether the object is transparent or opaque, metallic or non-metallic, liquid or powdery. Even environmental conditions such as spray, dust or rain hardly affect their function.

Technical data

Protection class IP67

Tests/approvals

MTTF 50 years acc. to SN 29500 (Ed. 99) 40 °C

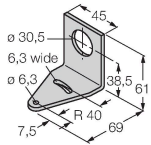
Approvals CE

Accessories

SMB30A

3032723

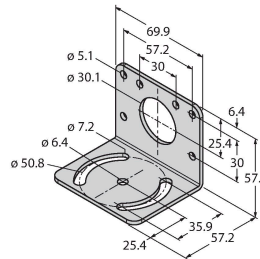
Mounting bracket, rectangular, stainless steel, for sensors with 30mm thread



SMB30MM

3027162

Mounting bracket, rectangular, stainless steel, for sensors with 30 mm thread, wide holes for accurate alignment



SMB30SC

3052521

Mounting bracket, PBT black, for sensors with 30 mm thread, rotatable

