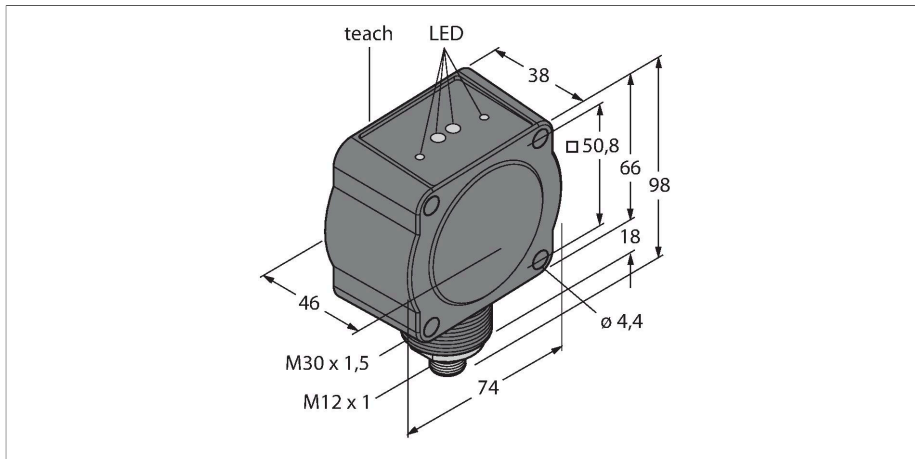


# QT50R-EU-RHQ

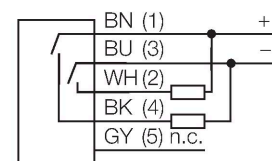
## Radar Sensor – retroreflective sensor With Switching Output



### Features

- M12 × 1 male connector, 5-pin
- Protection class IP67
- FMCW radar (frequency-modulated continuous wave radar), detects stationary and moving objects
- Approved for Europe (incl. UK), Australia, New Zealand, Japan and China
- Max. range 12 m
- Configuration via DIP switch
- Teach-in function for reflector position
- Operating voltage 12...30 VDC
- PNP/NPN switching output

### Wiring diagram



### Functional principle

A PCR (Pulse Coherent Radar) device transmits a short, powerful pulse lasting a few microseconds and receives the reflected echo from objects. In contrast to continuously transmitting wave radars, the transmitter is already switched off before the end of the measurement process. The distance measurement to the object is carried out using a transit time method. As a result, unlike Continuous Wave (CW) radars, both stationary and moving objects can be detected.

Conformity

CE

ISM defined in ITU-R 5.138, 5.150 and 5.280  
ETSI/EN 300 440

### Technical data

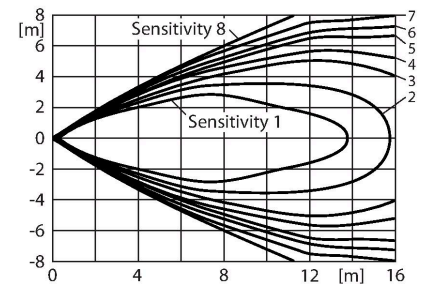
Type	QT50R-EU-RHQ
ID	3054276
<b>Radar data</b>	
Function	Retroreflective Sensor
Operating mode	Time-of-Flight
Frequency band	K band, ISM region
Frequency range	24.05 - 24.25 GHz
Modulation	FMCW (Frequency Modulated Continuous Wave)
Range	1000...12000 mm
Edge lengths of the nominal actuator	200 mm
Number of radio channels	1
Duty cycle	100 %
Antenna connection	Internal, planar
Antenna gain	15 dBi
Antenna pattern	45o (Azimuth) / 38o (Elevation)
Side-lobe suppression	13 dB (Azimuth) / 13 dB (Elevation)
Output power ERP	5 dBm / 3.3 mW ERP
Output power EIRP	20 dBm / 100 mW EIRP
Field strength max.	88-20log(m) dBuA/m or 24-20log(m) dBmW/m <sup>2</sup>
<b>Electrical data</b>	
Operating voltage	12...30 VDC
No-load current	≤ 100 mA
Short-circuit protection	yes / Cyclic
Reverse polarity protection	yes

## Technical data

Output function	NO/NC programmable, PNP/NPN
Readiness delay	≤ 2000 ms
Response time typical	< 30 ms
Setting option	DIP switch Vision Software and Firmware Remote Teach

FCC Part 15  
RSS-210  
ANATEL Category II  
CMIIT Category G  
ARIB STD T-73  
KC mark — MSIP/RRA  
NCC

## Excess Gain Curve



Mechanical data	
Design	Rectangular, QT50
Dimensions	46.1 x 74.1 x 99.7 mm
Housing material	Plastic, ABS/Polycarbonate, Black
Electrical connection	Connector, M12 × 1, PVC
Number of cores	5
Ambient temperature	-40...+65 °C
Protection class	IP67
Power-on indication	LED, Green
Switching state	LED, Yellow
Excess gain indication	LED, red
Tests/approvals	
MTTF	100 years acc. to SN 29500 (Ed. 99) 40 °C
Approvals	CE, UKCA

## Accessories

Dimension drawing	Type	ID	
	RKC4.5T-2/TEL	6625016	Connection cable, M12 female connector, straight, 5-pin, cable length: 2 m, jacket material: PVC, black; cULus approval
	WKC4.5T-2/TEL	6625028	Connection cable, M12 female connector, angled, 5-pin, cable length: 2 m, jacket material: PVC, black; cULus approval