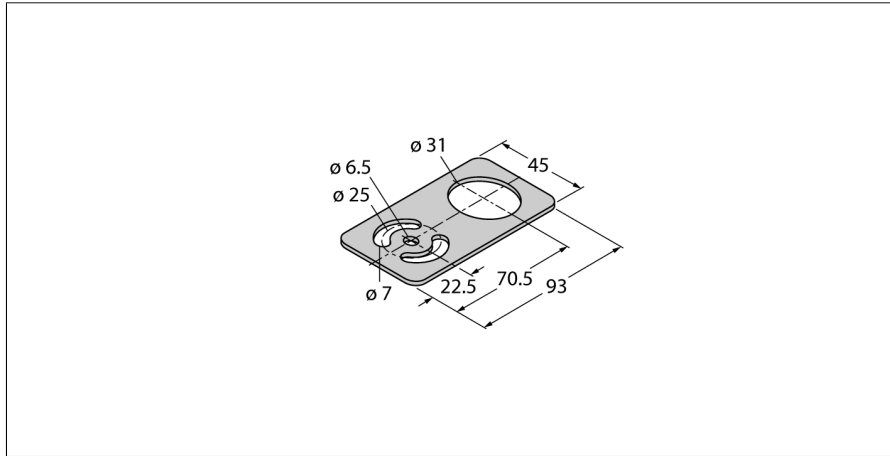


mounting accessories
mounting bracket
SMBAMS30P

TURCK

Industrial
Automation



- M30 feedthrough
- For sensors with 30 mm thread
- Automotive Metric Standard (AMS)

Type code	SMBAMS30P
Ident no.	3073135
Construction	accessories for threaded barrels
Dimensions	85 x 45 x 2.6 mm
Housing material	stainless steel, V4A 1.4401 (AISI 316)