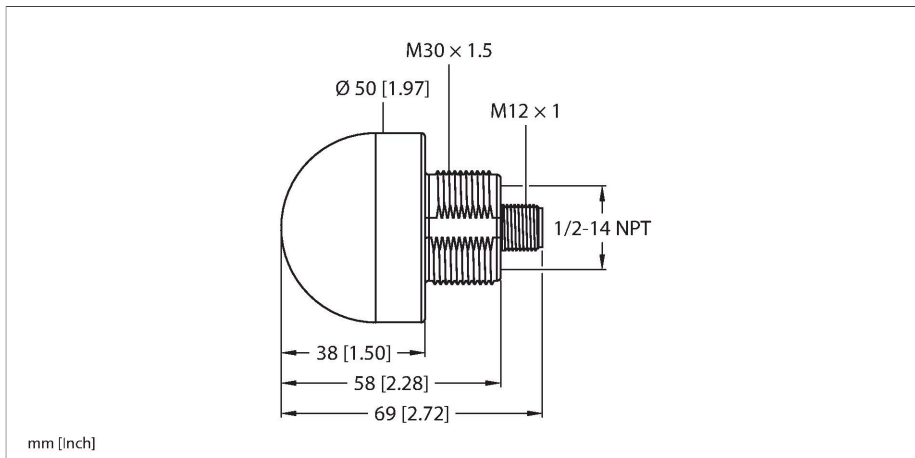


# K50LGRYPQ

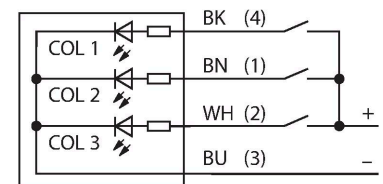
## LED Indicator – Beacon



### Features

- All-round LED display
- Individually controllable
- Mechanical screw-in thread M30 x 1.5
- Protection classes IP67/IP69K
- Multicolor: Green (COL 1) / Red (COL 2) / Yellow (COL 3)
- Male M12x1
- Operating voltage 18...30 VDC

### Wiring diagram



### Technical data

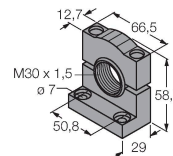
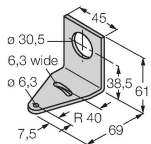
Type	K50LGRYPQ
ID	3075671
<b>Signal and display data</b>	
Purpose	LED indicator light
Function	Spotlight
Light type	Green Red Yellow
LED service life (L70)	50000 h
Dimmable	No
Features of color 1	Green, Permanently on
Features of color 2	Red
Features of color 3	Yellow
Special features	Wash down
<b>Electrical data</b>	
Operating voltage	18...30 VDC
DC rated operational current	≤ 40 mA
Max. current consumption per color	40 mA
Output function	NO contact, Potential-free
Input type	PNP
Response time typical	< 1 ms
<b>Mechanical data</b>	
Cascadable	No
Design	Dome, K50L
Dimensions	Ø 50 x 69 mm
Housing material	Plastic, PC, Black
Window material	Polycarbonate, diffuse

## Technical data

Electrical connection	Connector, M12 × 1, PVC
Number of cores	4
Ambient temperature	-40...+50 °C
Relative humidity	0...90 %
Protection class	IP67 IP69
<b>Tests/approvals</b>	
MTTF	249 years acc. to SN 29500 (Ed. 99) 40 °C
Approvals	CE, UL listed

## Accessories

SMB30A	3032723	SMB30SC	3052521
	Mounting bracket, rectangular, stainless steel, for sensors with 30mm thread		Mounting bracket, PBT black, for sensors with 30 mm thread, rotatable



## Accessories

Dimension drawing	Type	ID	
	RKC4.4T-2/TEL	6625013	Connection cable, M12 female connector, straight, 4-pin, cable length: 2 m, jacket material: PVC, black; cULus approval
	WKC4.4T-2/TEL	6625025	Connection cable, M12 female connector, angled, 4-pin, cable length: 2 m, jacket material: PVC, black; cULus approval