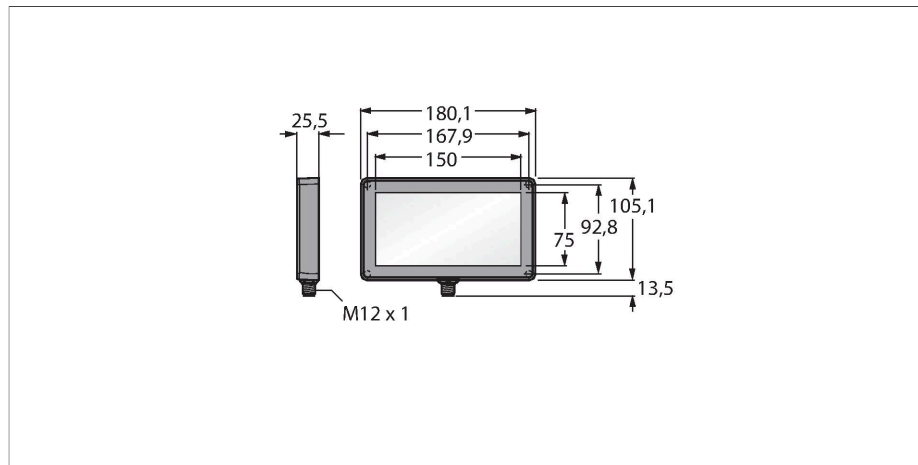


# LEDRB75X150PW2-XQ

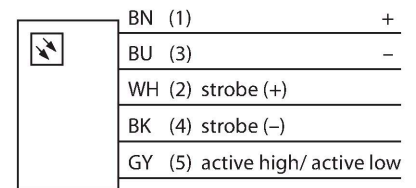
## Vision System – Backlight



### Features

- Protection class: IP67
- Color: red
- Power supply: 24 VDC
- M12 x 1 male

### Wiring diagram



### Technical data

Type	LEDRB75X150PW2-XQ
ID	3082475
<b>Signal and display data</b>	
Purpose	Image processing
Function	Area light
Light type	Red
Wavelength	620...630 nm
LED service life (L70)	50000 h
Features of color 1	Red
Special features	Wash down
<b>Electrical data</b>	
Operating voltage	24 VDC
DC rated operational current	≤ 550 mA
Max. current consumption per color	550 mA
<b>Mechanical data</b>	
Design	Rectangular
Dimensions	180.1 x 105.1 x 25.5 mm
Housing material	Plastic, Thermoplastic material
Window material	Acrylic, diffuse
Electrical connection	Connector, M12 × 1, PVC
Number of cores	5
Ambient temperature	0...+50 °C
Protection class	IP67
<b>Tests/approvals</b>	
Approvals	CE, cULus listed

### Functional principle

Installed directly behind the object, opposite to the sensor. Highly diffuse surfaces and consistent brightness, with lower intensity compared to other lights.