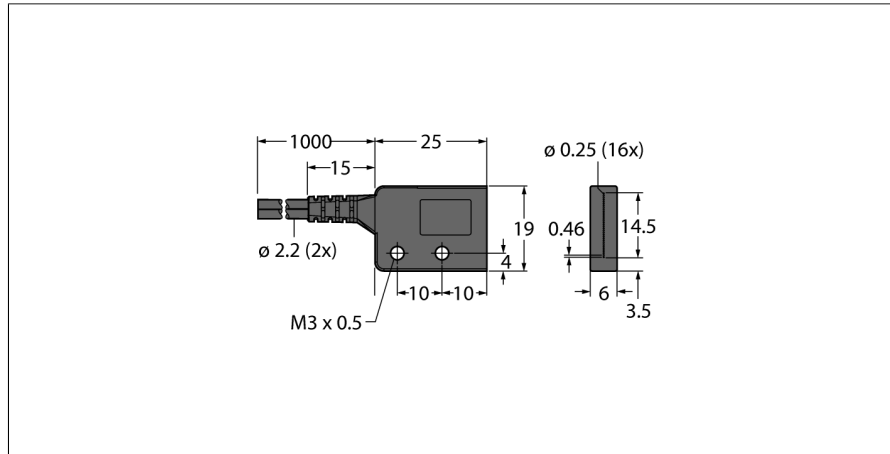


Plastic Fiber Bifurcated Fiber PBR1X323U-VL



- Operation: diffuse/opposed mode
- Polyethylene sheath, flexible
- Operating temperature: -30...+70 °C
- Cable, straight, customizable
- End sleeve for probe, rectangular beam exit
- Strain relief
- Optical fiber, core diameter 0.265 mm × 32
- Optical fiber, total length: ± 914 mm

Functional principle

Glass or plastic fibers are the optimum choice for high-temperature applications and limited spaces. They transfer the light from the sensor to a remote object. Individual fibers are used for opposed mode sensing, whereas bifurcated fibers are suited for retroreflective or diffuse mode operation.

Type	PBR1X323U-VL
ID	3087527
Optical data	
Function	Diffuse mode sensor
Fiber-optic type	Plastic
Scan field	14.5 mm
Mechanical data	
Design	Rectangular
Housing material	Plastic, PE, Black
Jacket material	Polyethylene
Jacket material	plastic, PE
Material of the fiber-optic tip	Polyethylene
Bending cycles	1000
Bending radius	Ø 25 mm
Ambient temperature	-30...+70 °C
Max. temperature tip	70 °C
Special features	Detection of small parts