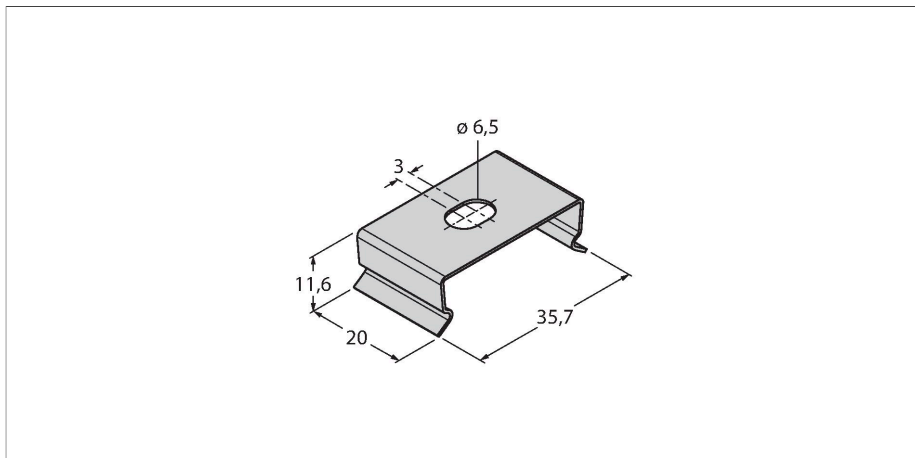


LMBWLB32

Accessories – Mounting Bracket

Features

- Replacement set for WLB32 work lights.
- Stainless steel
- Snap-on bracket for wall mounting
- Included are four snap-fit brackets, four mounting bolts and two insulators



Technical data

Type	LMBWLB32
ID	3090623
Dimensions	35.7 x 20 x 11.6 mm
Housing material	Stainless steel