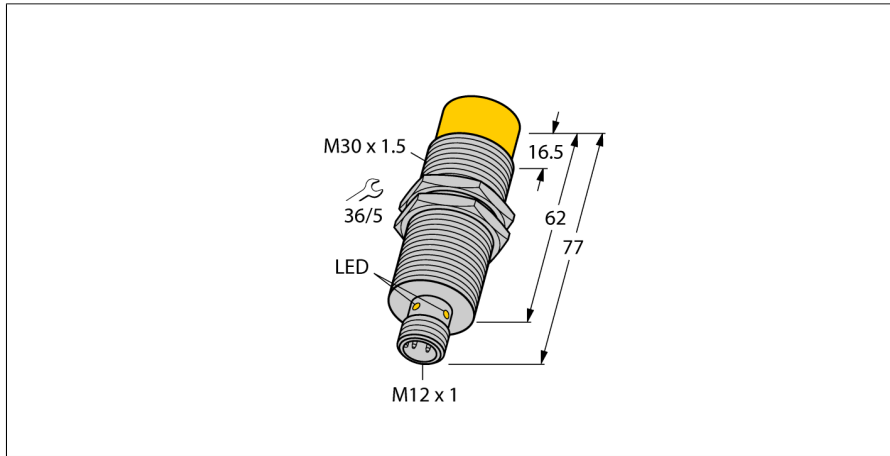
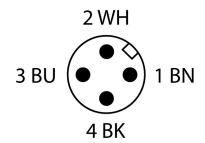
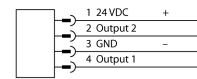


Inductive coupler Primary Side NICP-M30-IOL2P8X-H1141



- Threaded barrel, M30 x 1.5
- Chrome-plated brass
- DC 4-wire, 24 VDC
- 2 x PNP output
- Male, M12 x 1
- IO-Link transmission



Type	NICP-M30-IOL2P8X-H1141
ID	4300101
Remark to product	Discontinued. Successor: 100018258
max. transmission distance	7 mm
max. offset	5 mm
Maximum Angular Misalignment	15 °
General data	
Mounting conditions	Non-flush
Electrical data	
DC rated operational current	≤ 750 mA
Communication protocol	IO-Link
Output function	4-wire, PNP
Nominal transmission capacity	
Nominal transmission capacity	12 W
Maximum standby power coupled	3 W
Maximum standby power not coupled	1 W
System readiness delay (power)	160 ms
IO-Link specification	V 1.1.1
Mechanical data	
Design	Threaded barrel, M30 x 1.5
Dimensions	77.1 mm
Housing material	Metal, CuZn, Chrome-plated
Active area material	Plastic, PA12-GF30
Max. tightening torque of housing nut	40 Nm
Electrical connection	Connector, M12 × 1
Environmental conditions	
Ambient temperature	-20...+55 °C
Vibration resistance	55 Hz (1 mm)
Protection class	IP67 IP68
MTTF	547 years acc. to SN 29500 (Ed. 99) 20 °C

Functional principle

Inductive couplers transmit power and data contactless. With a high-frequency alternating field power is transmitted at a frequency of 200 kHz and data at 2.4 GHz. The powered primary component NICP feeds the secondary component NICS via the air interface which in turn transmits the sensor signals back to the primary component.

Switching state	LED, Yellow, 10 Hz = no secondary component, 1 Hz = FOD active
-----------------	--

Accessories

Type code	Ident no.		Dimension drawing
QM-30	6945103	Quick-mount bracket with dead-stop; material: Chrome-plated brass. Male thread M36 × 1.5. Note: The switching distance of the proximity switches may change when using quick-mount brackets.	
BST-30B	6947216	Mounting clamp for threaded barrel sensors, with dead-stop; material: PA6	
MW-30	6945005	Mounting bracket for threaded barrel sensors; material: Stainless steel A2 1.4301 (AISI 304)	
BSS-30	6901319	Mounting clamp for smooth and threaded barrel sensors; material: Polypropylene	

Function accessories

Type code	Ident no.		Dimension drawing
TBIL-M1-16DIP	6814100	16-channel I/O-hub for the connection of 16 digital PNP inputs to an IO-Link master	