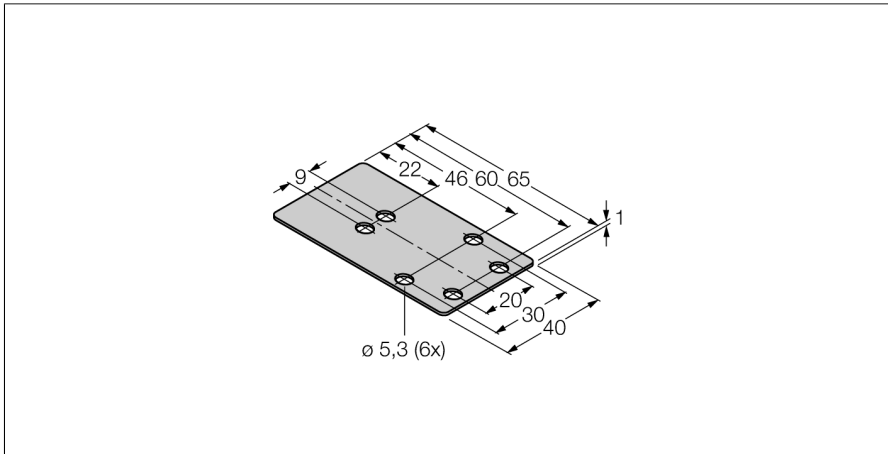


# Accessories protective frame MF-CK40-1S

- Protective frame (one-side)



Type	MF-CK40-1S
ID	6900481
Design	Accessories for rectangular sensor, CK40
Dimensions	65 x 40 x 1 mm
Housing material	Metal, 1.4301 (AISI 304)