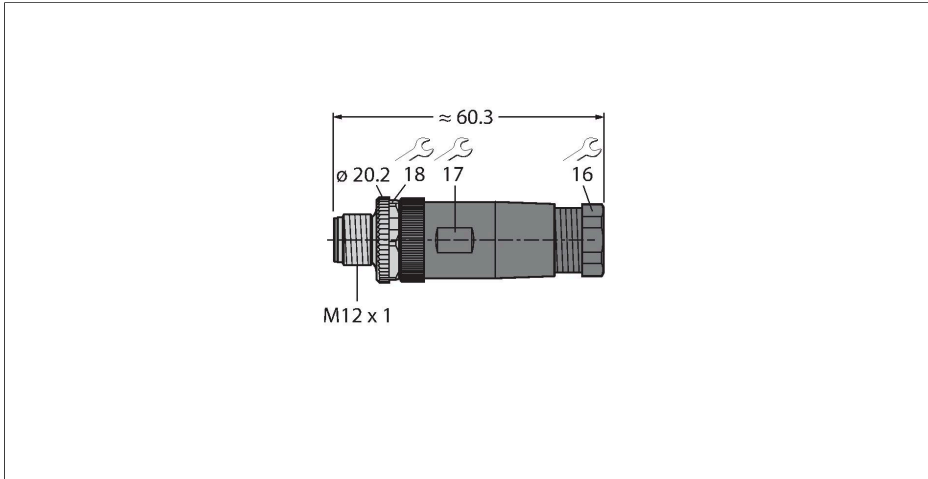


# BS8181-0

## Field-Wireable Connector

### Male Connector M12 × 1, Straight

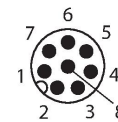


#### Features



- A-coding
- Metal coupling nut
- Screw-clamp terminal
- 8-pin
- PG9 screw-in thread
- Cable feedthrough 6.0...8.0 mm

#### Contact assignment



#### Technical data

Type	BS8181-0
ID	6901004
Connector A	Male, M12 × 1, Straight, A-coded
Number of pins	8
Contacts	CuZn, Gold-plated
Contact carriers	Plastic, PA, Black
Connector body	Plastic, PA, Black
Coupling nut/screw	Die-cast Zinc, GD-Zn, Nickel-plated
Screw-in thread seal	Plastic, FPM/FKM
Screw-in thread	PG9
External diameter of the cable	6...8 mm
Core cross-section/Clamping ability	0.14...0.5 mm <sup>2</sup>
Connection mode	Screw/clamp connection
Mechanical lifespan	> 100 Mating cycles
Protection class	IP67, (screwed together)
<b>Electrical properties at +20 °C</b>	
Rated voltage	60 V
Current	2 A
Insulation resistance	≥ 10 <sup>8</sup> Ω
forward resistance	≤ 3 mΩ
<b>Mechanical and chemical properties</b>	
Ambient temperature (fixed)	-40...+85 °C
Approvals	cULus recognized