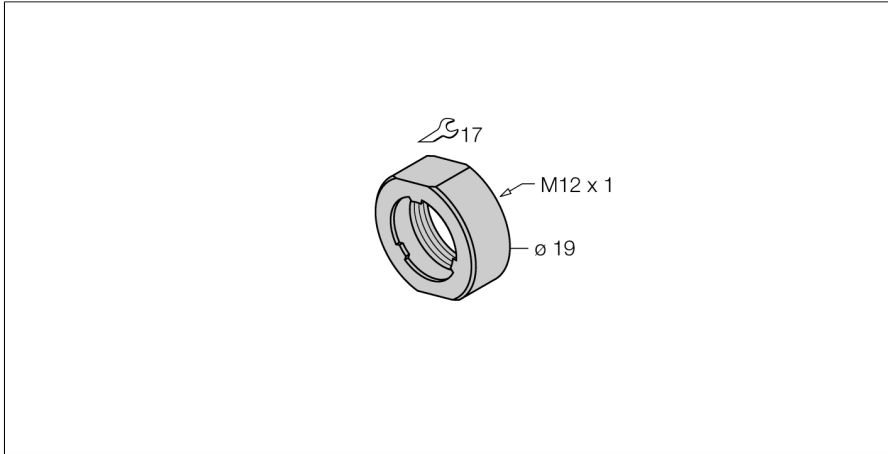


# Accessories

## screw cap

### PN-M12



- Screw cap nut for flush sensors of the uprox+ series
- For the following M12 × 1 threaded barrel sensors:
  - BI4U-M12(E)-...
  - BI4U-MT12(E)-...
  - BI4U-EM12(WD)...
  - Stainless steel A2 1.4305 (AISI 303)

**General description**

The screw caps are screwed on the head of an uprox®+ flush sensor, protecting this way the active face against damages. Recessed mounting of the sensor head is obtained by the shroud, this way mechanical strains work on the screw cap but not on the sensor.

Type	PN-M12
ID	6905309
Design	Accessories for threaded barrel, M12
Housing material	Stainless steel, 1.4305 (AISI 303)

