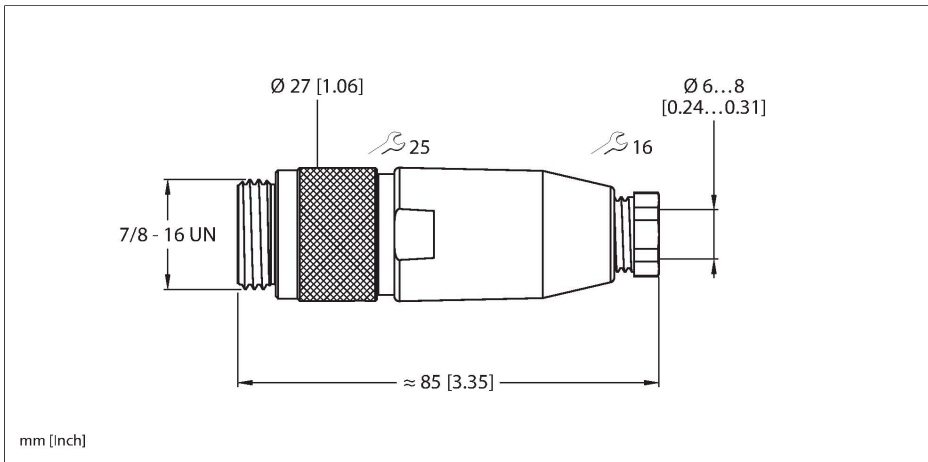


FW-MRSPM0316-P-S-0608

Field-Wireable Connector – 7/8" Power 7/8" Male, Straight



Technical data

Type	FW-MRSPM0316-P-S-0608
ID	6914502
Remark to product	Old designation: BS4131-0/9
Connector A	Male, 7/8"-16 UN, Straight
Number of pins	3
Contacts	Metal, CuZn, Gold-plated
Contact carriers	Plastic, TPU, Black
Connector body	Plastic, PA, Black
Coupling nut/screw	Aluminum, Al, Anodized
External diameter of the cable	6...8 mm
Core cross-section/Clamping ability	0.34...1.5 mm ²
Connection mode	Screw/clamp connection
Mechanical lifespan	> 100 Mating cycles
Pollution degree	3
Protection class	IP67, Only in screwed condition
Electrical properties at +20 °C	
Rated voltage	250 V
Current	12 A
Mechanical and chemical properties	
Ambient temperature (fixed)	-40...+90 °C
Ambient temperature (mobile)	-40...+90 °C

Features



- Screw terminal connection
- 3-pin
- PG9 screw-in thread
- Cable feedthrough 6.0...8.0 mm

Contact assignment

