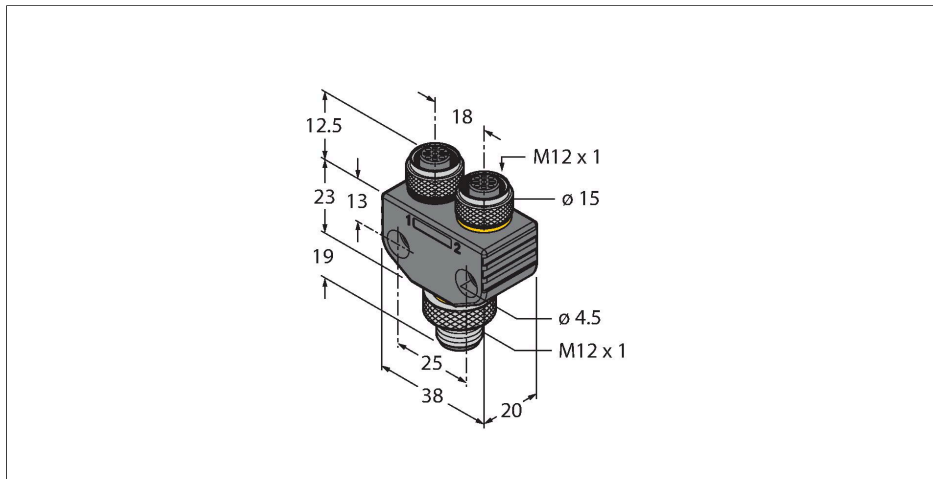


# VB2-PX3-FSM4.4-2FKM4

## 2-port Junction Systems – Y-Splitter without Cable, M12 × 1 Male - 2x M12 × 1 Female



### Features

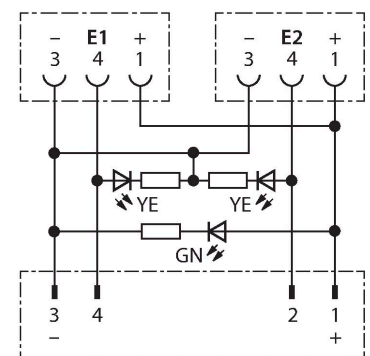
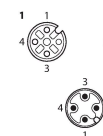


- M12 male, 4-pin
- M12 female connector, 3-pin
- 1 x LED green, status
- 2 x LED yellow, function
- RoHS-compliant
- Protection class IP67

### Technical data

Type	VB2-PX3-FSM4.4-2FKM4
ID no.	6930567
Distributed I/O	2
Connector A	Male Connector, 2x Female Connector, M12 × 1
Number of Pins	4/3
Contacts	Brass, CuZn, Gold-plated
Contact carriers	Plastic, TPU, Black
Connector body	Plastic, TPU, Translucent
Coupling nut/screw	Brass, CuZn, Nickel-plated
Seal	Plastic, FKM/FPM
Tightening torque (range)	0.8 ... 1 Nm (observe max. torque of mating connector!)
Operating voltage	LED Green
Display switch state	LED Yellow/Yellow
Mechanical lifespan	> 100 Mating cycles
Pollution degree	3/2
Type of protection	IP67, Only in screwed condition
Connector B	M12 × 1
<b>Electrical properties at +20 °C</b>	
Rated voltage	24 V
Current	4 A
Insulation resistance	≥ 10 <sup>8</sup> Ω
forward resistance	≤ 5 mΩ

### Contact assignment



## Technical data

Ambient temperature range (In motion) -30 °C...+90 °C

---

## Accessories

WRENCH-FW/SIZE 17MM

6936175



TORQUE-WRENCH-SET-AS

6936170



Torque wrench set; handles with adjustable torque 0.4-1.0 Nm, torque wrench for M8 (SW9), fork wrench for M12 (SW 14)