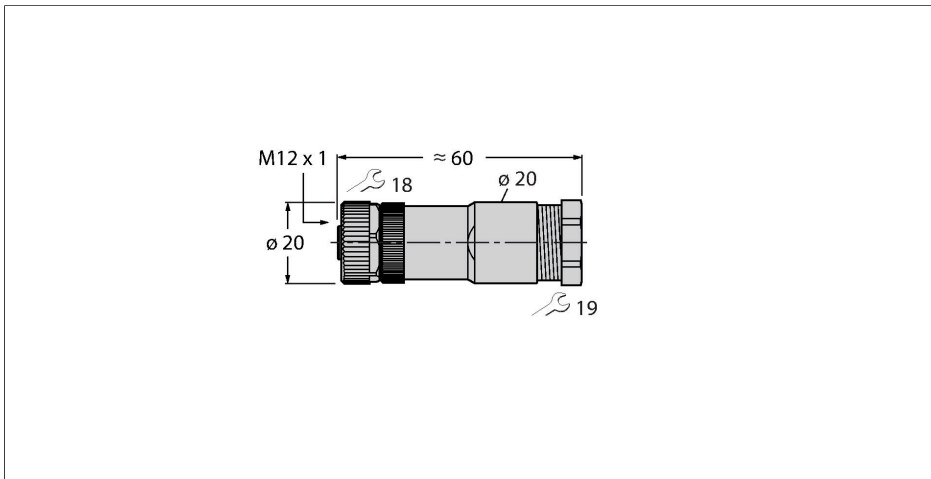


# VBB8151-0

## Field-Wireable Connector

### Female Connector M12 × 1, Straight



#### Technical data

Type	VBB8151-0
ID	6934722
Connector A	Female, M12 × 1, Straight, A-coded
Number of pins	5
Contacts	CuZn, Optalloy Coating
Contact carriers	Plastic, PA, Black
Connector body	Plastic, PA, Black
Coupling nut/screw	Die-cast Zinc, GD-Zn, Nickel-plated
Seal	Plastic, FPM/FKM
Core cross-section/Clamping ability	0.14...0.75 mm <sup>2</sup>
Connection mode	Screw/clamp connection
Mechanical lifespan	> 50 Mating cycles
Protection class	IP67, (screwed together)
<b>Electrical properties at +20 °C</b>	
Rated voltage	60 V
Current	4 A
Insulation resistance	≥ 10 <sup>8</sup> Ω
forward resistance	≤ 8 mΩ
<b>Mechanical and chemical properties</b>	
Ambient temperature (fixed)	-25...+85 °C
Approvals	cULus recognized

#### Features



- Duo cable-coupling
- Metal coupling nut
- Protection class IP67
- Screw-clamp terminal
- A-coding
- 5-pin
- Cable feedthrough: 2 cables Ø 2.1-3.0 mm or Ø 4.0-5.0 mm

#### Contact assignment

