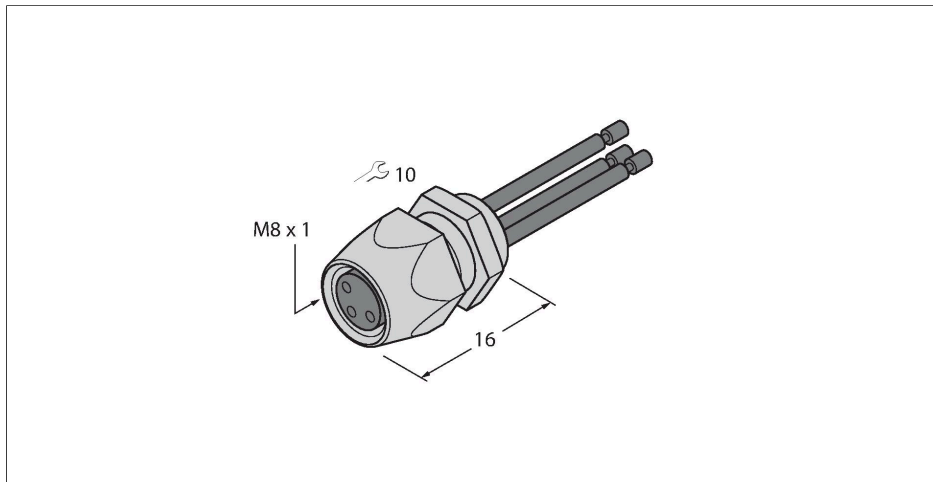


PFKS4-0.2

Female Flange with Stranded Wires, Front-mounted – Female Flange with Stranded Wires, Front-mounted



Features



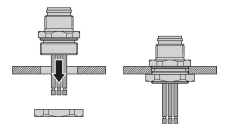
- robust and pre-assembled round connector
- Degree of protection IP67
- with 0.2 m litz wire
- also available with other litz wire lengths

Contact assignment



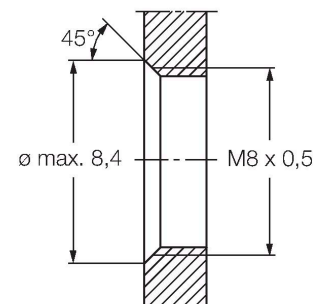
Headline Wiring Diagram

Wiring Diagram



Technical data

Type	PFKS4-0.2
ID	6934786
Connector A	Female, M8 × 1, Straight
Number of Pins	4
Contacts	Metal, CuZn, Gold-plated
Contact carriers	Plastic, PA, Black
Seal	Plastic, FPM/FKM
Flange housing	Brass, CuZn, Nickel-plated
Mounting type	front panel mounting
Screw-in thread seal	plastic, NBR
Screw-in thread	M8 × 0.5
Connection mode	Wire connection
Mechanical lifespan	> 100 Mating cycles
Pollution degree	3
Protection class	IP67, (screwed together)
Cable length	0.2 m
Core insulation	PVC
Core cross-section	4 x 0.25 mm ²
Arrangement of strands	14 x 0.15 mm
Core colors	BN, WH, BU, BK
Electrical properties at +20 °C	
Rated voltage	30 V
Current	4 A
Insulation resistance	≥ 10 ⁸ Ω
forward resistance	≤ 5 mΩ



Technical data

Mechanical and chemical properties

Ambient temperature range (stationary)	-30...+90 °C
--	--------------

Approvals	CE
-----------	----