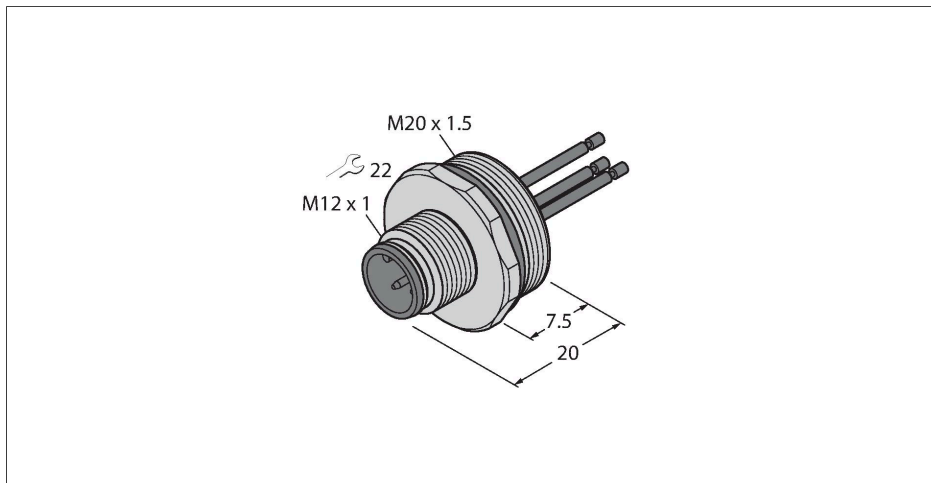


# EC-FS4.5-0.5/20

## Male Receptacle with Stranded Wires, Front-mounted

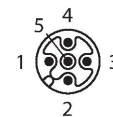


### Features



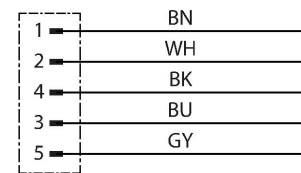
- M12 × 1 male receptacle
- Protection class IP67
- Front panel mounting
- Connected via stranded wires
- 5-pin
- Stranded wire length: 0.5 m

### Contact assignment



### Technical data

Type	EC-FS4.5-0.5/20
ID	6935737
Connector A	Male, M12 × 1, Straight, A-coded
Number of pins	5
Contacts	Brass, CuZn, Gold-plated
Contact carriers	Plastic, PA GF, Black
Flange housing	Brass, CuZn, Nickel-plated
Mounting type	front panel mounting
Screw-in thread seal	Plastic, NBR
Screw-in thread	M20 × 1.5
Connection mode	Wire connection
Mechanical lifespan	> 100 Mating cycles
Pollution degree	3
Protection class	IP67, (screwed together)
Cable length	0.5 m
Core insulation	PVC
Core cross-section	5 x 0.34 mm <sup>2</sup>
Core colors	BN, WH, BU, BK, GY
<b>Electrical properties at +20 °C</b>	
Rated voltage	60 V
Current	4 A
Insulation resistance	≥ 10 <sup>9</sup> Ω
forward resistance	≤ 5 mΩ
<b>Mechanical and chemical properties</b>	
Ambient temperature (fixed)	-30...+90 °C
Approvals	CE



### Front panel mounting

