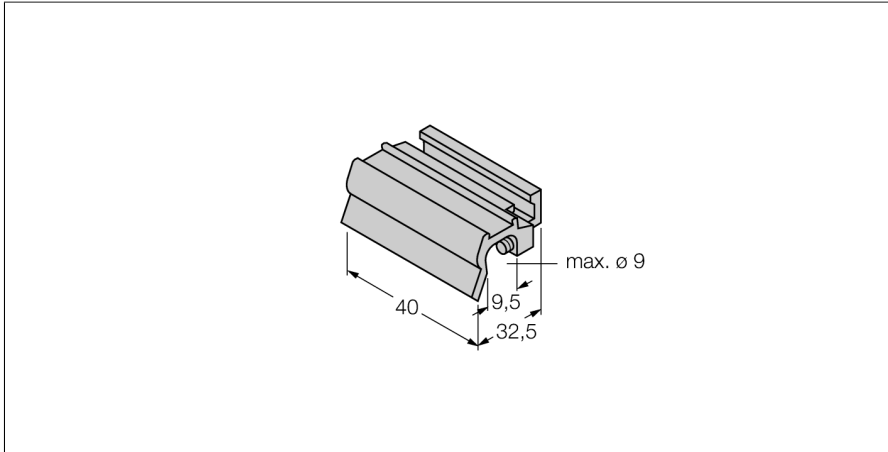


Accessories

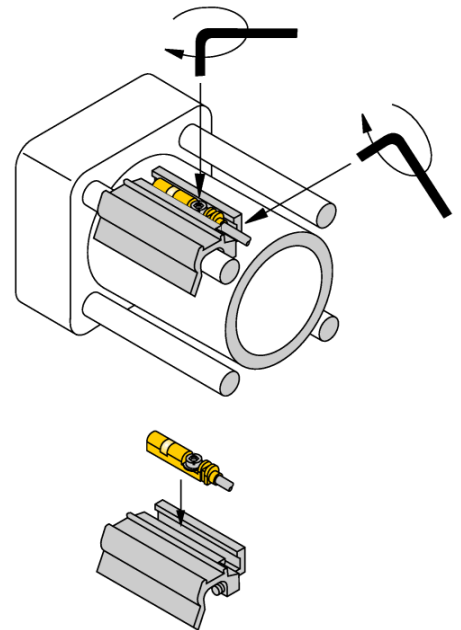
Mounting Bracket

For Tie-rod Cylinders

KLZ2-INT



- Mounting on tie-rod cylinders
- Cylinder diameter: 50...63 mm
- Tie rod diameter: up to 9 mm
- Metal: Aluminum



Type	KLZ2-INT
ID	6970411
Design	Accessories, INT
Dimensions	40 x 32.5 x 15.5 mm
Housing material	Metal, AL
Fixing clamp for correspondent cylinder diameter	50...63 mm