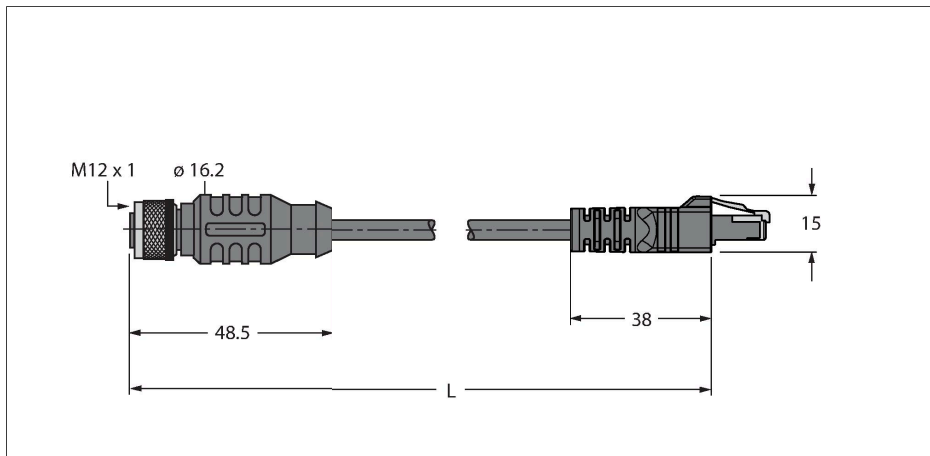


RKS RJ45S 841-1M

Industrial Ethernet Cable – Extension Cable



Features

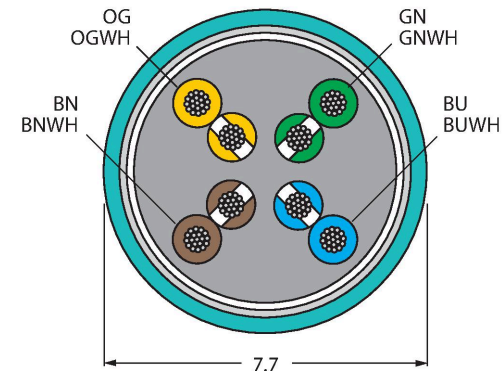


- Ethernet cable: 8-pin, AWG 24, shielded
- Jacket material: TPE, color: green
- Jacket diameter: 7.7 mm
- Suitable for drag chain use
- UL approval
- RJ45 male connector, straight, 8-pin
- M12 female, straight, 8-pin
- Cable length: 1.0 m

Technical data

Type	RKS RJ45S 841-1M
ID	U8637-1
Connector A	Female, M12 × 1, Straight, A-coded
Number of pins	8
Contacts	Metal, CuZn, Gold-plated
Contact carriers	Plastic, TPU, Black
Connector body	Plastic, TPU, Black
Coupling nut/screw	Brass, CuZn, Nickel-plated
Seal	Plastic, FPM/FKM
Tightening torque (range)	0.8 ... 1 Nm (observe max. torque of mating connector!)
Mechanical lifespan	> 100 Mating cycles
Pollution degree	3
Protection class	IP67, IP69K, Only in screwed condition
Connector B	Male, RJ45, Straight
Number of Pins	8
Contacts	Metal, CuSn, Gold-plated
Contact carriers	Plastic, PC, Transparent
Connector body	Plastic, TPU, Black
Protection class	IP20
Cable	
Network protocol	Ethernet, 841
Cable diameter	Ø 7.7 mm
Cable length	1 m
Cable jacket	TPE, Green
Shielding	yes
Core insulation	PE

Cable Cross-Section



Contact assignment



Technical data

Core cross-section	8 x 0.21 mm ²
Core colors	WH/BU, WH/BN, BN, OG, WH/GN, WH/OG, BU, GN
Electrical properties at +20 °C	
Rated voltage	60 V
Current	2 A
DC resistance (loop)	94 Ω/km
Nom. impedance	100 Ω (1 MHz)
Nom. capacitance	46 pF/m
Mechanical and chemical properties	
Bending radius (flexible use)	≥ 10 x Ø
Bending cycles	≥ 1 million
Ambient temperature (fixed)	-40...+80 °C
Ambient temperature (mobile)	-40...+80 °C
Other Features	
Qualified for drag chain use	yes
UV resistance	yes
Oil-resistant	yes
Approvals	UL
Note	
- We reserve the right to make technical modifications without prior notice.	