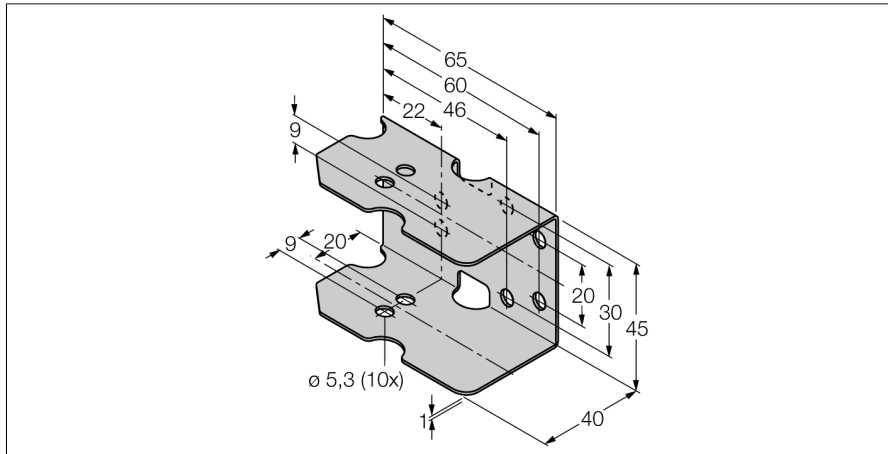


Accesorii rame protectoare MF-CK40-3S



- Cadru de protecție (profil U)

Descriere generală

The sensor programme comprises inductive, magnetic-inductive, capacitive, photoelectric and ultrasonic sensors as well as pressure and flow controls.

Tip	MF-CK40-3S
Nr. ID	6900483
Design	Accesorii pentru senzori dreptunghiulari, CK40
Dimensiuni	65 x 45 x 1mm
Materialul carcasei	Metal, 1.4301 (AISI 304)